



BURNISHED & SPLITFACE BLOCK

- Wyoming White
- Hammond White
- Pearl
- Rose Pearl
- Marble
- Sea Shell
- Terra Cotta
- Sandstone
- Calico
- Sundance
- Dakota
- Rushmore
- Vermillion
- Brownstone
- Glacier Gray
- Natural
- Onyx



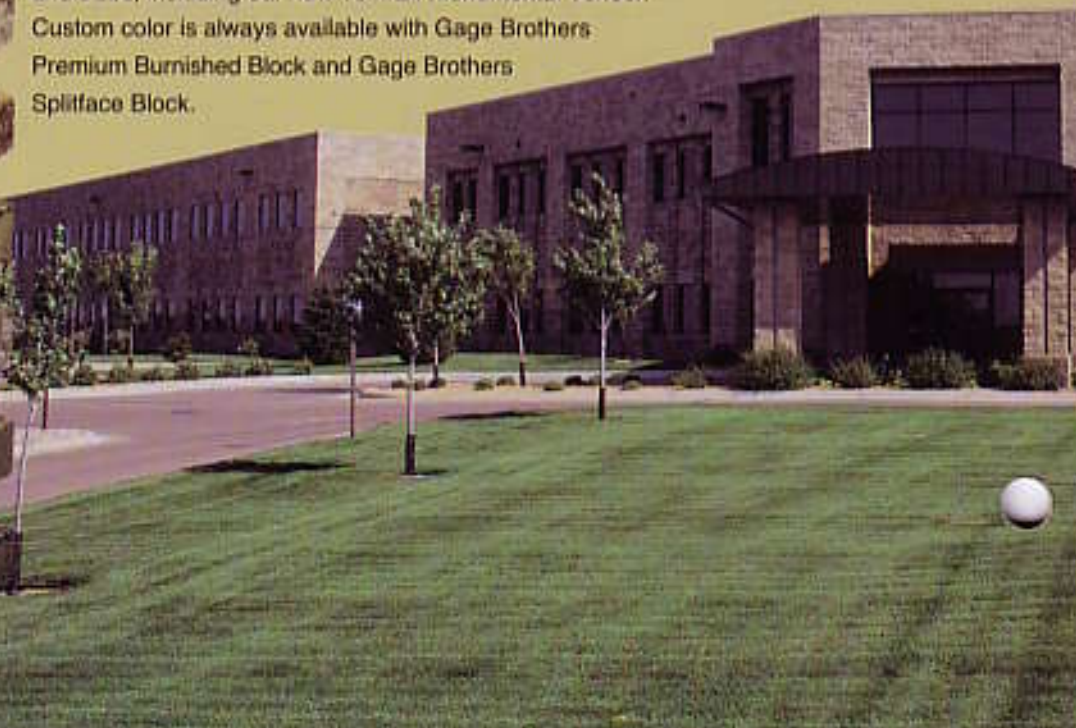
Gage Brothers Premium Burnished Block is available in a wide variety of colors and textures. All of our block is fabricated in a new state-of-the-art facility in the United States. We offer standard block shapes and sizes, energy efficient insulated block, and custom colors. Our craftsmen are dedicated to the consistent quality and service you expect from Gage Brothers.

**BURNISHED
BLOCK**



YOU CAN EXPECT UNEQUALED QUALITY FROM THE CRAFTSMEN OF GAGE BROTHERS. CALL US FOR A FREE CATALOG.

Gage Brothers Block is available in standard and custom shapes and sizes, including our new 16-4-24 Monumental Veneer. Custom color is always available with Gage Brothers Premium Burnished Block and Gage Brothers Splitface Block.



HERE'S HOW GAGE BROTHERS STACKS UP.

Block is the most complete line of burnished block offered in the United States. State of the art facility which blends the finest block fabrication equipment from three types and custom block shapes which include, but are not limited to, sound absorptive blocks, bullnosed and chamfered edge blocks. All of our blocks are created by specialty high quality you have come to expect from Gage Brothers.

Gage Brothers Splitface Block is manufactured to the same high quality standards as Gage Brothers Premium Burnished Block. All of the standard colors of our Splitface Block are companion colors to the standard colors offered in our Premium Burnished Block line. The consistent color and texture of Gage Brothers Splitface Block and Gage Brothers Premium Burnished Block will allow you to blend several colors and textures of block to provide an unlimited palette of permanent texture and color.



SPLITFACE BLOCK

CONTACT US FOR SAMPLES OR FOR ADDITIONAL INFORMATION, OR VISIT OUR WEBSITE: WWW.GAGEBROTHERS.COM.



Wyoming White
Hammond White
Pearl
Marble
Sea Shell
Sandstone
Calico
Sundance
Rushmore
Vermillion
Brownstone
Natural
Onyx



TECHNICAL DATA

Burnished Block

Scope: Interior or exterior shall be constructed of burnished concrete masonry units as shown on the plans and/or indicated in the schedule of finishes.

Gage Brothers Concrete Products, Inc., recommends that all exterior architectural masonry units be specified as Dry Block.

Units: All ground face masonry units shall be manufactured by Gage Brothers Concrete Products, Inc. Concrete blocks for grinding shall conform to ASTM C90-97 Grade N, Type 1 as applicable. The ground and polished surface shall have a factory applied methacrylate coating.

Colors: Burnished masonry units shall be manufactured with colors, as selected by the Architect, from Gage Brothers.

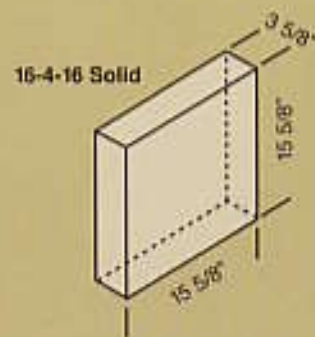
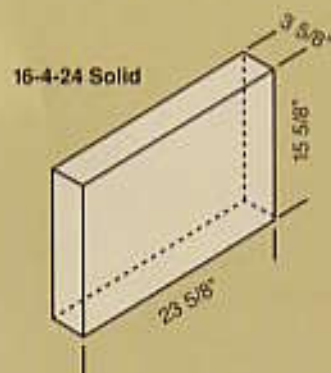
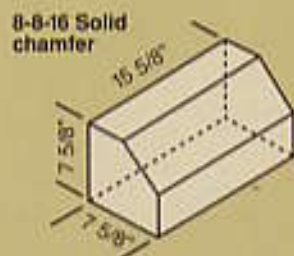
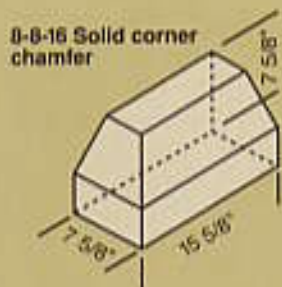
On Site Mock Up Panel: Mock up panel shall consist of all specified units, colors, mortar and grouting representative of actual project and shall have same proper clean down and field coating according to manufacturer's instructions.

Installation: The laying of Gage Burnished Block units shall be consistent with the best concrete masonry practices. At all times reasonable and proper care shall be taken in handling units to prevent marring or damaging faces, edges, and corners. During installation, walls shall be kept clean and dry by bagging, brushing and covering during inclement weather.

Minor cracks or defects incidental to the usual methods of manufacturing, or minor chipping resulting from customary methods of handling in shipment and delivery, shall not be grounds for rejection except that not more than 5 percent of a shipment shall contain chips larger than 1/4 inch from any edge or corner on the faces. For any quality assistance please contact Gage Brothers Manonry Division before any further action is taken.

Final Clean Down: Completely pre-dampen wall. Apply buffered acid only while keeping wall wet at all times. Allowing cleaning solution to dry may result in stains and residue. After 3-4 minutes thoroughly rinse with water from end of the hose only (No pressure rinsing). Allow the wall to dry thoroughly before applying finish coatings.

Field Coating: A jobsite application of a compatible methacrylate coating shall be applied to all Gage Burnished Block walls after cleandown and when the walls are dry. This coating may be sprayed at low pressure (per coating manufacturer's recommendations) and shall be applied evenly to recover the entire surface without forming drops or runs.



WIDTH OR THICKNESS OF GROUND FACE MASONRY UNITS

Nominal Width or Thickness of Units, Inches	Actual Width or Thickness of Units, Inches One Face	Actual Width or Thickness of Units, Inches Two Faces
4	3-9/16 ± 1/16	3-1/2 ± 1/8
6	5-9/16 ± 1/16	5-1/2 ± 1/8
8	7-9/16 ± 1/16	7-1/2 ± 1/8
10	9-9/16 ± 1/16	9-1/2 ± 1/8
12	11-9/16 ± 1/16	11-1/2 ± 1/8

Splitface Block

Scope: Interior or exterior shall be constructed of splitface concrete masonry units as shown on the plans and/or indicated in the schedule of finishes.

Gage Brothers Concrete Products, Inc., recommends that all exterior architectural masonry units be specified as Dry Block.

Units: All splitface masonry units shall be manufactured by Gage Brothers Concrete Products, Inc. Concrete blocks for splitface units shall conform to ASTM C90-97 Grade N, Type 1 as applicable.

Colors: Splitface masonry units shall be fabricated with colors, as selected by the Architect, from Gage Brothers.

Installation: The laying of Gage Brothers splitface concrete block units shall be consistent with the best concrete masonry unit practices. At all times reasonable and proper care shall be taken in handling units to prevent marring or damaging faces, edges and corners. During installation, walls shall be kept clean and dry by bagging, brushing and covering during inclement weather.

Minor cracks or defects incidental to the usual methods of manufacturing or minor chipping resulting from customary methods of shipping and handling shall not be grounds for rejection.

Final Clean Down: Completely pre-dampen wall. Apply buffered acid only while keeping wall wet at all times. Allowing cleaning solution to dry may result in stains and residue. After 3-4 minutes thoroughly rinse with water from end of the hose only. (No pressure rinsing) Allow the wall to dry thoroughly before applying finish coatings.

Gage Brothers Concrete Products Incorporated
101 Industrial Drive
Harrisburg, SD 57032
605-743-5263 • 1-800-348-4243
Fax 605-743-5578
www.gagebrothers.com

Gage
Brothers
Concrete Products Incorporated